

**TPA-N-VPI  
Probe Adapter**

**Instructions**



071-2967-00

**Safety Summary**

To avoid potential hazards, use this product only as specified.

**To avoid fire or personal injury**

**Connect and disconnect properly.** Connect the TPA-N-VPI Adapter to the host instrument before connecting the device to the circuit-under-test. Disconnect the device input and ground from the circuit under test before disconnecting the device from the adapter and host instrument.

**Ground the product.** This product is indirectly grounded through the grounding conductor of the host instrument power cord. To avoid electric shock, the grounding conductor must be connected to earth ground. Before making connections to the input or output terminals of the product, ensure that the product is properly grounded.

**Observe all terminal ratings.** To avoid fire or shock hazard, observe all ratings and markings on the host instrument. Consult the host instrument documentation for further ratings information before making connections to the host instrument.

Do not apply a potential to any terminal, including the common terminal, that exceeds the maximum rating of that terminal.

**Do not operate without covers.** Do not operate this product with covers or panels removed.

**Do not operate with suspected failures.** If you suspect there is damage to this product, have it inspected by qualified service personnel.

**Do not operate in wet/damp conditions.**

**Do not operate in an explosive atmosphere.**

**Keep product surfaces clean and dry.**

**Environmental Considerations**

This section provides information about the environmental impact of the product.



**Equipment Recycling.** This product complies with the European Union's requirements according to Directive 2002/96/EC on waste electrical and electronic equipment (WEEE). For more information about recycling options, check the Support/Service section of the Tektronix Web site ([www.tektronix.com](http://www.tektronix.com)).

**Product Description**

The TPA-N-VPI Adapter accepts probes with BNC, TekProbe™, and TekVPI™ outputs and allows you to use them on instruments that use an N-type RF input connector.



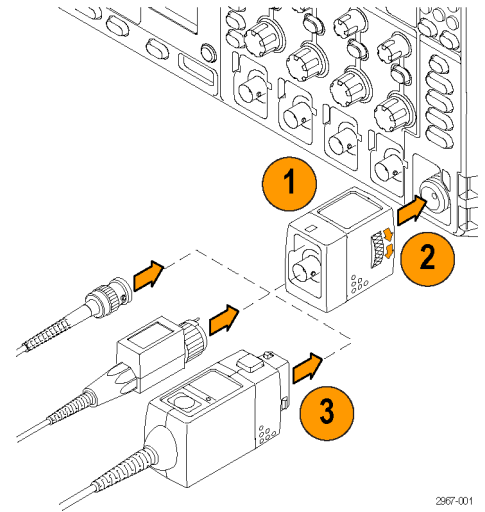
2967-002

The adapter does not require power, and does not affect the scale factor of the attached probe. The adapter works with passive, active, and differential voltage probes with 50 Ω outputs.

**NOTE.** *If your probe connects with an N connector, connect your probe directly to the N connector input.*

**Installing the Adapter**

1. Align adapter to input N connector.
2. Rotate thumbwheel clockwise to tighten.
3. Connect probe to adapter input.



2967-001

**Specifications**

Characteristic	Specification
Bandwidth	6 GHz
Attenuation	≤0.5 dB DC to 6 GHz
VSWR	≤1.3:1 DC to 6 GHz
Temperature	
Operating	0 °C to 50 °C (32 °F to 122 °F)
Nonoperating	-20 °C to +60 °C (4 °F to 140 °F)
Humidity	
Operating	0–40 °C 10–60% RH 40–50 °C 10–90% RH
Nonoperating	0–40 °C 5–90% RH 40–60 °C 5–60% RH
Altitude	
Operating	3000 m (10,000 ft)
Nonoperating	12,000 m (40,000 ft)
Dimensions (L x W x H)	5.0 x 2.66 x 3.96 cm (2.0 x 1.05 x 1.56 in)

**Warranty Information**

For warranty information, go to [www.tektronix.com/warranty](http://www.tektronix.com/warranty).